

**ProRapid 2000**

**Semi Instantaneous DHW Generator**

**Product Description**

The ProRapid range of Semi Instantaneous DHW Generators are suitable for a wide range of water heating applications. Each ProRapid unit combines a AISI 316 stainless steel DHW buffer vessel with externally mounted WRAS approved brazed plate heat exchanger, charging pump and control panel. The ProRapid is suitable for use with a variety of primary heat sources including Gas Boilers, District Heating Schemes and Heat Pumps.

**ProRapid Range: Features**

- BMS Compatible
- Integral Legionella Control
- Visual DHW Temperature Display
- High Temperature Thermostat
- Option for Single or Three Phase Electrical Immersion Elements



**ASHP  
READY**



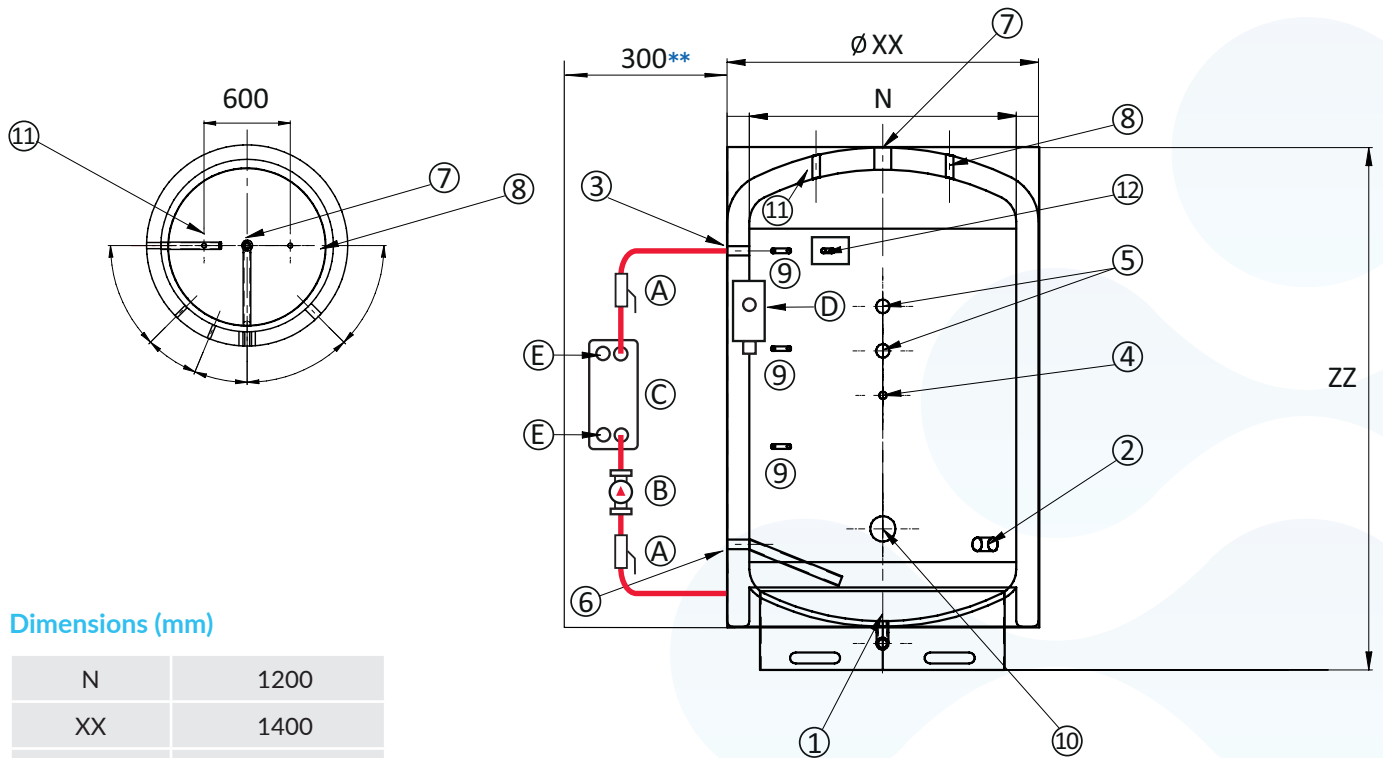
**Technical Specification**

|   |  |
|---|--|
| Capacity                                    | 2100 litres  |
| Orientation                                 | Vertical   |
| Construction Material: Shell                | AISI 316L Stainless Steel                          |
| Construction Material: Plate Heat Exchanger | Stainless Steel WRAS No: 2011003                   |
| Charging Pump                               | WILO STAR Z 20/7: WRAS No: 2106803                 |
| Insulation Material & Thickness             | 100mm Flexible Polyurethane with metal sheet outer |
| Standing Energy Losses*                     | 184 w/hr   |
|   | 4.42 kwh/24hrs                                     |
| Total Height with Insulation                | 2350mm   |
| Total Diameter                              | 1400mm   |
| Total Diameter + PHX Assembly               | 1700mm   |
| Weight Empty                                | 325 kg   |
| Maximum working pressure - Vessel           | 6 bar  |
| Test Pressure                               | 9 bar  |
| Maximum working temperature                 | 99°C   |

\* Based upon ERP standard 65°C cylinder temperature at 20°C ambient air temperature

# TECHNICAL PRODUCT SUBMITTAL

## ProRapid 2000 Semi Instantaneous DHW Generator



### Dimensions (mm)

|    |      |
|----|------|
| N  | 1200 |
| XX | 1400 |
| ZZ | 2350 |

### Connections

|    |                                       |      |   |                                    |
|----|---------------------------------------|------|---|------------------------------------|
| 1  | Drain                                 | 1 ¼" | A | Isolation Valve                    |
| 2  | Service Connection                    | 2 ½" | B | Charging Pump                      |
| 3  | Destratification Outlet               | 1 ¼" | C | Brazed Plate Heat Exchanger        |
| 4  | Secondary Return Inlet                | 1"   | D | Control Panel                      |
| 5  | Service Connection Optional Immersion | 2"   | E | Primary Connections: PHE 1"/1 ¼" * |
| 6  | Destratification Inlet                | 1 ¼" |   |                                    |
| 7  | Domestic Hot Water Outlet             | 2 ½" |   |                                    |
| 8  | Temp & Pressure Relief Valve          | 1 ½" |   |                                    |
| 9  | Sensor Tapplings x3                   | ½"   |   |                                    |
| 10 | Access Hatch / Electrical Immersion   | 4"   |   |                                    |
| 11 | Anti Vac Valve                        | 1"   |   |                                    |
| 12 | High Limit Stat                       | ½"   |   |                                    |

\* Primary connection size depends upon kw heat input and temperature profile.

\*\* Approximate dimension depending upon PHE design.

