

**ProStor BV 1000  
DHW Buffer Storage Vessel**

**Product Description**

**DHW Buffer Vessel with a WRAS approved Vitreous lining**

The ProStor BV range of commercial domestic hot water buffer vessels are suitable for a wide range of water heating applications. Each vessel can be used in conjunction with a ProPak Thermal Packaged Plate Heat Exchanger, Electrical Immersion Heaters, or Removable Heat Exchangers. The vessel has a WRAS approved Vitreous lining to prevent corrosion.

**BV Range: Features**

- WRAS approved Vitreous Lining
- Capacities: 300 – 3000 litres
- Electrical Immersion Tapping
- De-stratification Tappings
- Flanged Inspection Hatch
- 100mm Insulation
- Low Standing Losses
- 3 Year Warranty

**BV Range: Options**

- Suitable for use with removable heat exchangers, electrical immersions or ProPak Thermal packaged plate heat exchangers
- De-stratification Pump
- Rockwool / Stucco Insulation

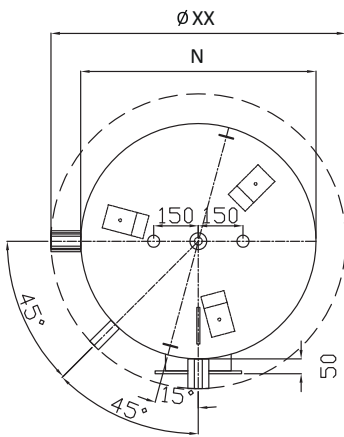


**Technical Specification**

Capacity	955 litres	
Heat Input	via Removable Heat Exchanger or Plate Heat Exchanger	
Orientation	Vertical	
Construction Materials	High Quality Steel with WRAS Approved Vitreous Lining	
Insulation Material & Thickness	100mm Soft Polyurethane with PVC Outer Jacket	
Standing Energy Losses*	142 w/hr	
	3.41 kwh/24hrs	
Total Height with Insulation	2205mm	
Total Diameter with Insulation	990mm	
Total Diameter without Insulation	790mm	
Weight Empty	207 kg	
Maximum working pressure - Vessel	10 bar	
Test Pressure	15 bar	
Maximum working temperature	95°C	
Vitreous Lining WRAS Approval Number	Up to 1000 litres	1909560
	1500 litres +	1911521

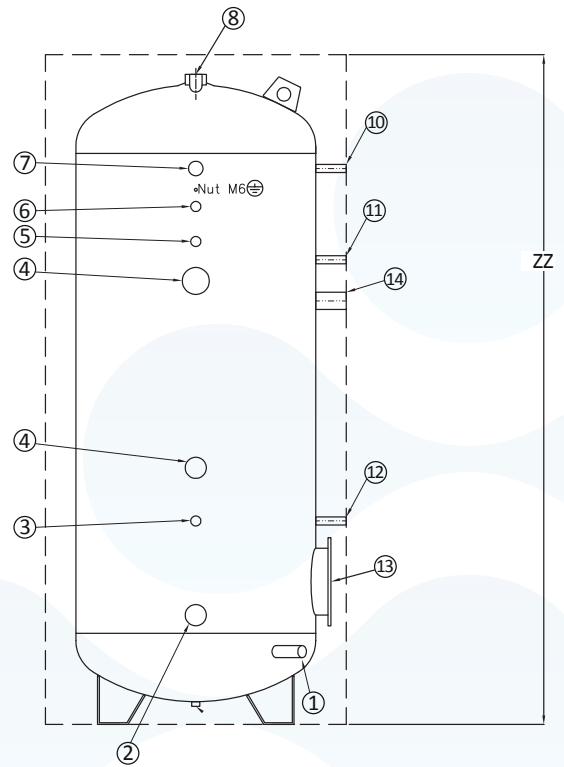
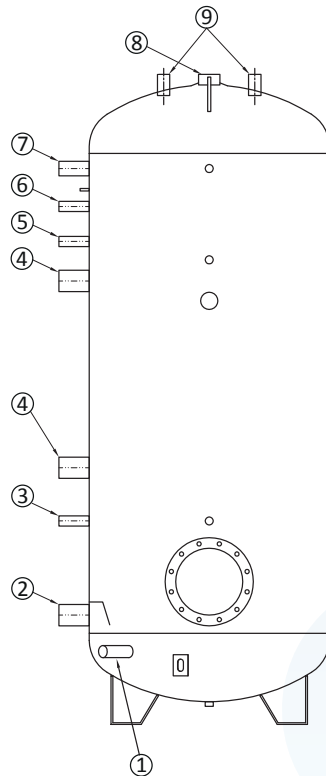
\* Based upon ERP standard 65°C cylinder temperature at 20°C ambient air temperature

## ProStor BV 1000 DHW Buffer Storage Vessel



### Dimensions (mm)

N	790
XX	990
ZZ	2205



### Connections

1	Drain	1"
2	Service Connection	2"
3	Destratification Outlet	3/4"
4	Service Connection or Optional Immersion Heater	2 x 2"
5	HWS Secondary Return Inlet	3/4"
6	Destratification Inlet	3/4"
7	Sacrificial Anode	1 1/4"
8	Domestic Hot Water Outlet	2"
9	Temp & Pressure Relief Valves	1"
10	Hi - Limit Temperature Stat	1/2"
11	BMS Sensor Pocket	1/2"
12	BMS Sensor Pocket	1/2"
13	Flanged Inspection Access and Heat Exchanger Inlet	DN290
14	Electrical Resistance	1 1/2"

### Water Quality

In hard water areas, suitable water conditioning or softening equipment must be installed to treat the sanitary water prior to heating.

The water must have a conductivity of not less than 150  $\mu\text{S}/\text{cm}$  and a hardness between 10°F and 20°F (equivalent to less than 1.00 mmol/litre of alkaline earth ions).

The chloride concentration must not exceed 70 mg/l, and the Langelier Saturation Index (LSI) at operating temperature should remain within the range of 0.0 to +0.4.

In all cases, water quality must be maintained within these parameters to ensure the protection and efficient operation of the system.

This is in addition to regular maintenance as outlined in our Operation / Installation Manual.

