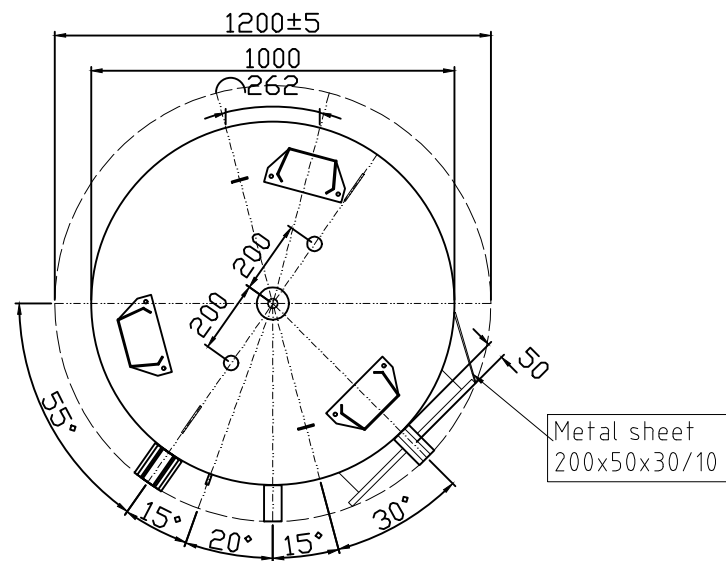
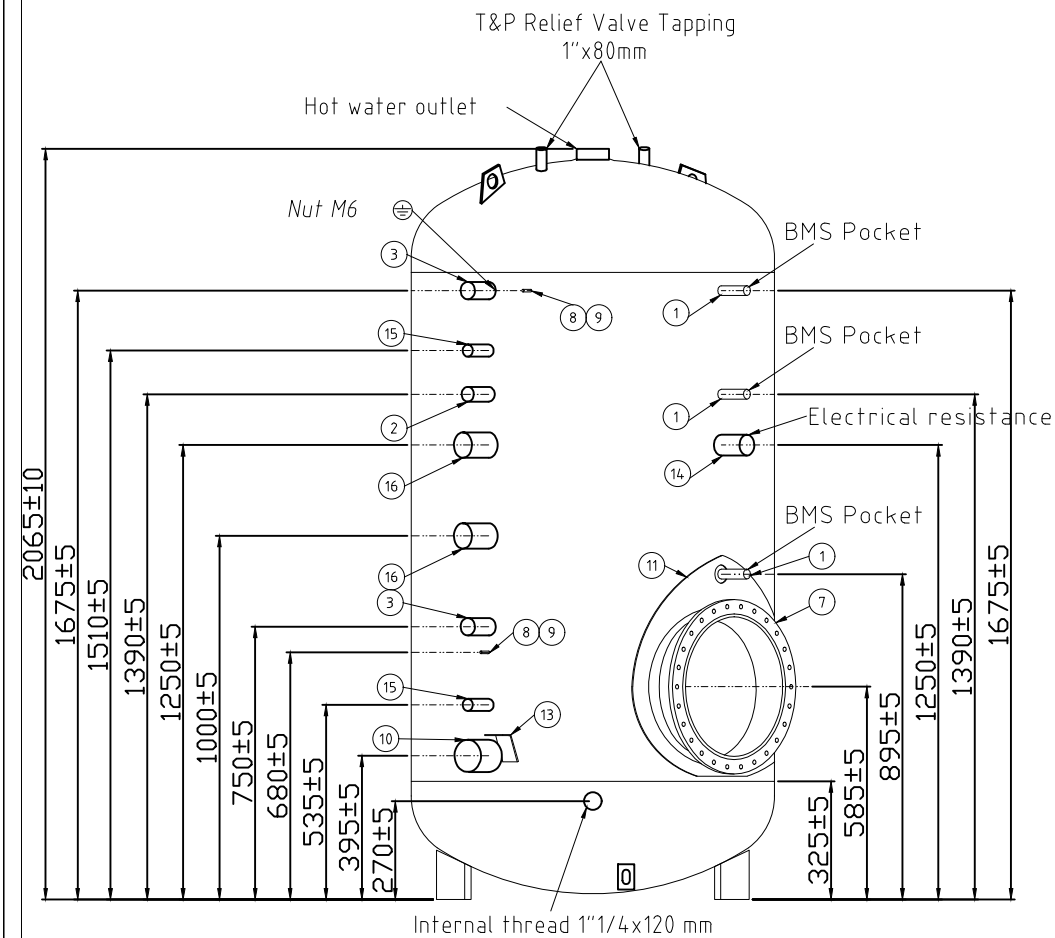
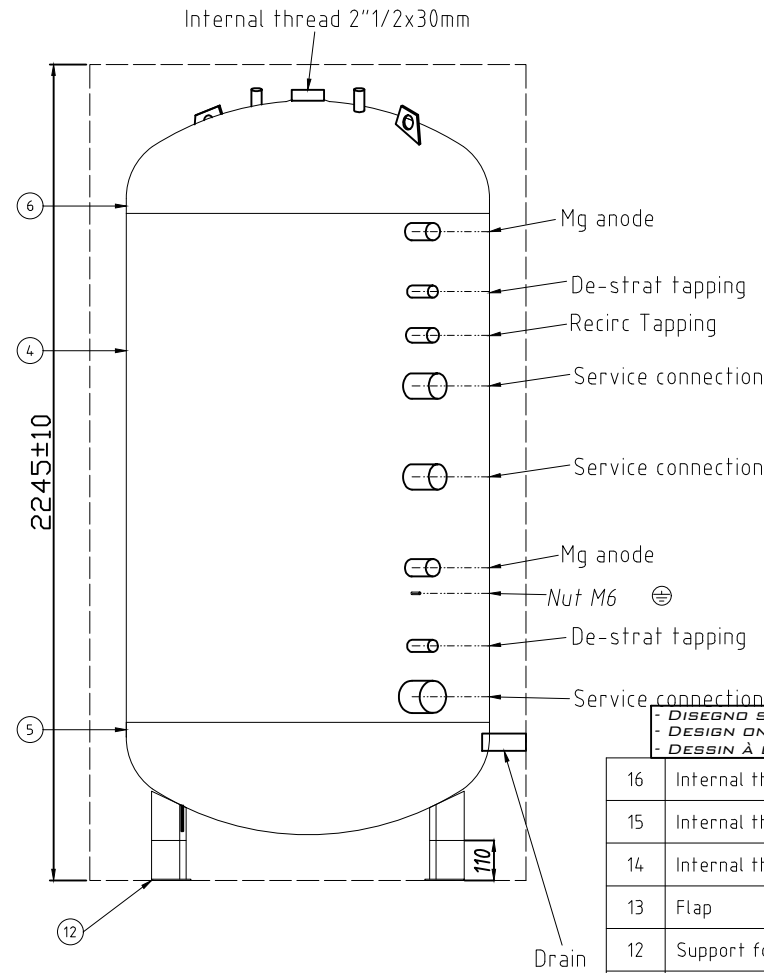


RAW BOILER



Internal thread 3/4"x105 mm	S235JR	2	91710240
Internal thread 1 1/2"x105 mm	S235JR	1	91710630
Internal thread 2 1/2"x105 mm	S235JR	3	91710755
Internal thread 1 1/4"x105 mm	S235JR	2	91710512
Internal thread 1"x105 mm	S235JR	1	91710345
Internal thread 1/2"x105 mm	S235JR	3	91710111
DESCRIZIONE:	MATERIALE:	Q.TA':	CODICE:

FINISHED BOILER



INSULATION:
100 mm Soft Polyester + INDOOR PVC Sky

Andy Clifford
16.11.22

DISEGNO SU RICHIESTA DEL CLIENTE, VALIDO SOLO PER QUANTO ESPRESSAMENTE INDICATO
DESIGN ON CUSTOMER REQUIREMENT, VALID ONLY EXPRESSLY INDICATED
DESSIN À LA DEMANDE DU CLIENT, VALABLE UNIQUEMENT POUR CE QUI EST EXPRESSÉMENT INDIQUÉ

POS.	DESCRIPTION:	MATERIAL:	Q.TY:	CODE:	REVISIONS:
16	Internal thread 2"x105 mm	S235JR	2	91710710	
15	Internal thread 3/4"x105mm	S235JR	2	91710240	
14	Internal thread 1 1/2"x105mm	S235JR	1	91710630	
13	Flap	S235JR	1	91920013	
12	Support foot H=110mm	S235JR	3	91E20243	
11	Reinforcement ring for 480 flange	S235JR	1	91920047	
10	Internal thread 2 1/2"x105 mm	S235JR	1	91710755	
9	Hex Screw M6x10 mm	ZINCATO	2	98120010	
8	Hex Nut M6x30mm	ZINCATO	2	98610001	
7	Flange Ø480x400	S235JR	1	91C10141	
6	Upper Semifinished	DD12/S235JR	1	F08A54S3863	
5	Lower Semifinished	DD12/S235JR	1	109A54S4210	
4	Metal sheet 3128x1400x40/10	DD12	1	912S4210 91120509	
3	Internal thread 1 1/4"x105 mm	S235JR	2	91710500	
2	Internal thread 1"x105 mm	S235JR	1	91710345	
1	Internal thread 1/2"x105 mm	S235JR	3	91710130	

TESTING PRESSURE IS ONE AND A HALF OF WORKING PRESSURE					
EFFECTIVE CAPACITY (LT.):	PRIMARY CAPACITY (LT.):	PRIMARY WORKING PRESSURE (BAR):	SECONDARY CAPACITY (LT.):	SECONDARY WORKING PRESSURE (BAR):	WEIGHT (KG):
1430	...	8

ALL RIGHTS RESERVED. THIS DRAWING IS NOT TO BE GIVEN TO THIRD PARTS WITHOUT OUR WRITTEN AUTHORIZATION

MATERIAL: S235JR / DD12	TREATMENT: SMALGLASS	DESCRIPTION: VS-DN 1500V
FIRST ANGLE PROJECTION: 	DESIGNER: D. MATTIOLI	DATE CREATED: 14-06-18
DIMENSIONS IN MILLIMETERS TOLERANCES NOT SHOWN: EN 22768-1 - V	CHECKED: G. ZENARI	Commercial Hot Water Solutions Ltd.
	CHECKED: ...	CODE: B09A54S4210

Reduced to 2" from 2 1/2" of the side on request of client (F. Perina)
Added 1 x 2 1/2"x105 mm connection on request of client (F. Perina)
16-11-22
16-11-21
14-06-18
Created drawing