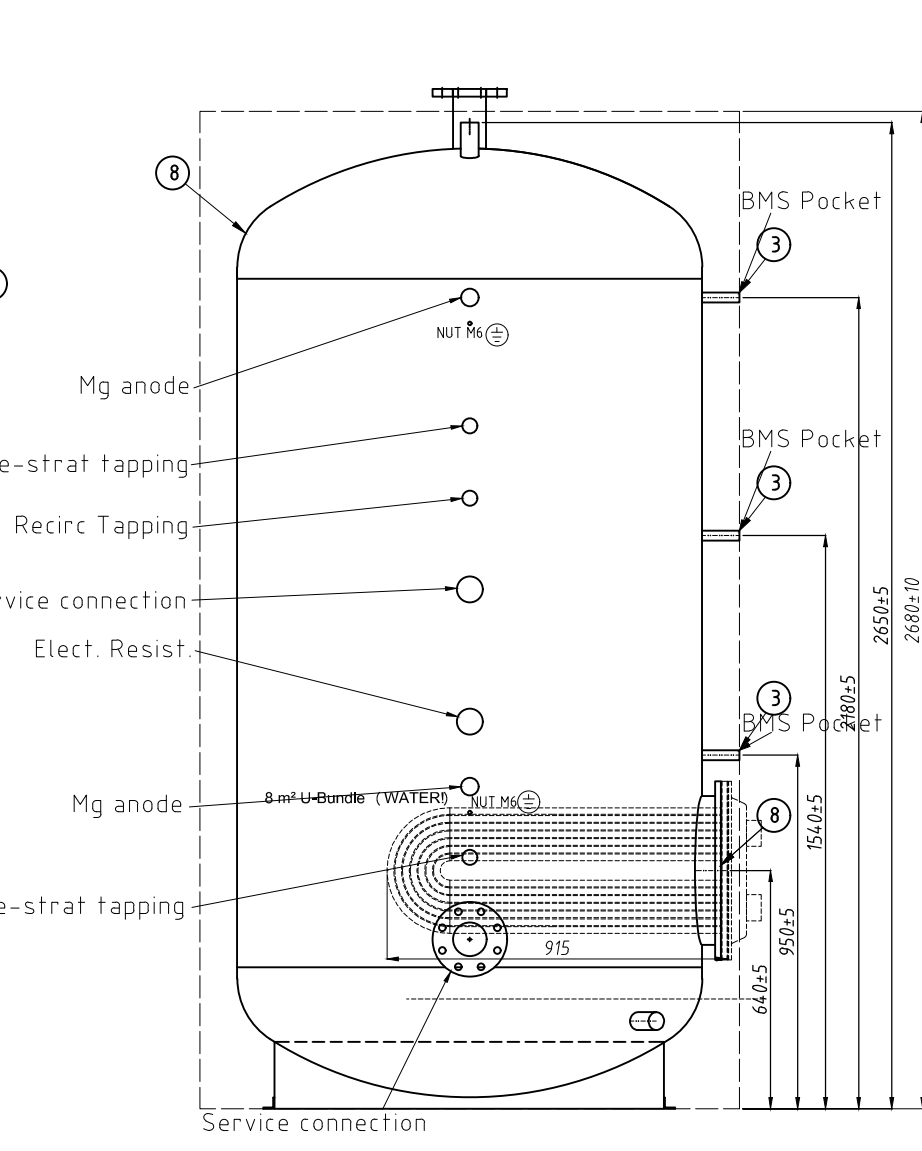
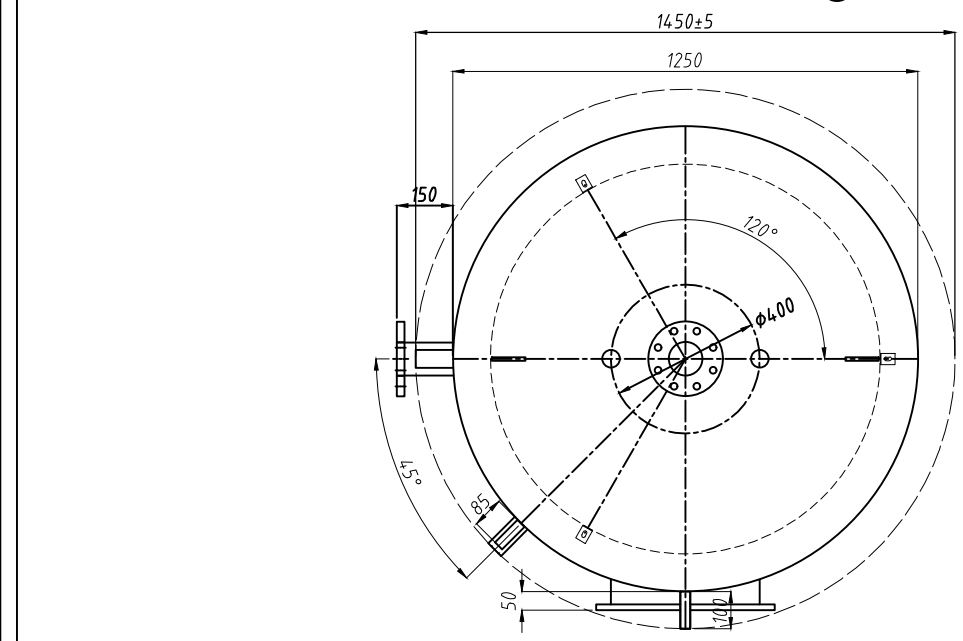
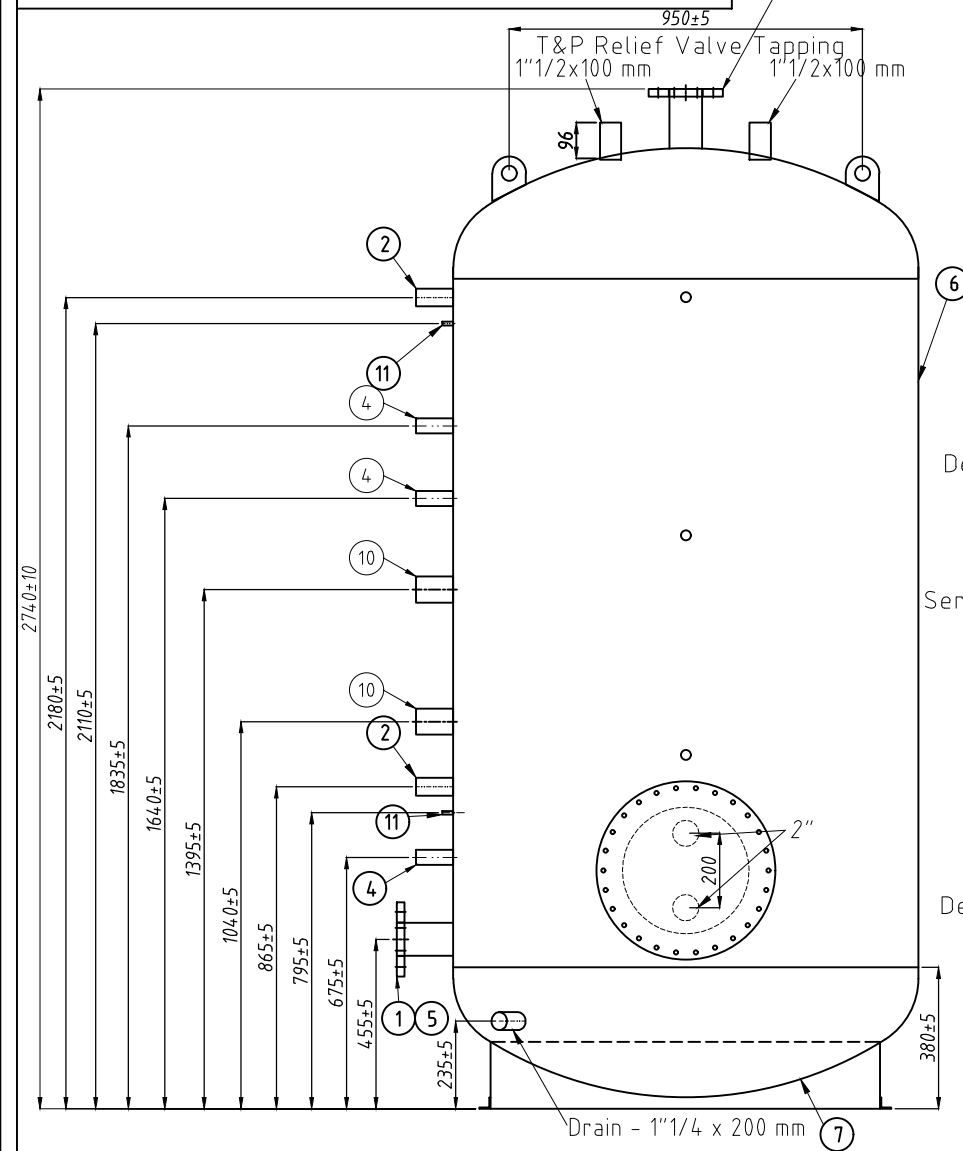


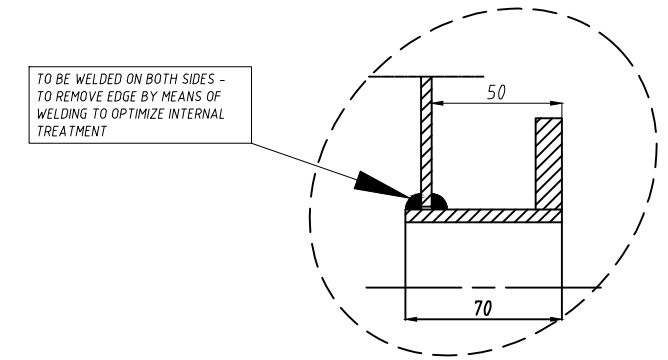
Insulation:
100mm Soft Polyester + PVC Indoor Sky



Andy Clifford

16.11.22

WELDED FLANGE DETAIL



Accessories:
- 1 x 9Z150012 8m² U-Bundle Heat Exch. (PTFE-treated Flange) (WATER!) -> ASSEMBLED!

POS.	DESCRIPTION:	MATERIAL:	Q.TY:	CODE:	REVISIONS:
15					
14					
13					
12	
11	Nut M6x30 mm	GALVANIZED	2	98610001	
10	Internal threaded 2"x105 mm	S235JR	2	91710710	
9	Welded Flange Ø480/400 mm	S235JR	1	91C10140	
8	Upper semifinished	S235JR	1	F08B54S6076	
7	Lower semifinished	S235JR	1	I08B54003V	
6	Metal sheet 3910x1850x50/10 mm	S235JR	1	912S6076 91130122	
5	Carp. Pipe Ø89x2,5 mm L=150 mm (cut from L=6000 mm)	S235JR	0,025	91656428	
4	Internal threaded 1"x105 mm	S235JR	3	91710111	
3	Internal threaded 1/2"x105 mm	S235JR	3	91710130	
2	Internal threaded 1 1/4"x105 mm	S235JR	2	91710500	
1	Plane Flange PN16 UNI EN 1092-1 DN80 ISO90	S235JR	1	91D50050	06 05 04 03 02 01 00

TESTING PRESSURE IS ONE AND A HALF OF WORKING PRESSURE

EFFECTIVE CAPACITY (LT.):	PRIMARY CAPACITY (LT.):	PRIMARY WORKING PRESSURE (BAR):	SECONDARY CAPACITY (LT.):	SECONDARY WORKING PRESSURE (BAR):	WEIGHT (KG):
2848	...	8	635

ALL RIGHTS RESERVED. THIS DRAWING IS NOT TO BE GIVEN TO THIRD PARTS WITHOUT OUR WRITTEN AUTHORIZATION

MATERIAL:	TREATMENT:	DESCRIPTION:
DD12/S235JR	SMALGLASS	PROSTOR BV DN 3000

FIRST ANGLE PROJECTION:

DESIGNER: F. PERINA
CHECKED: G. ZENARI

Commercial Hot Water Solutions Ltd.

DATE CREATED: 20-10-21
CODE: B09C04S6076

TOLERANCES NOT SHOWN: EN 22768-1 - V

Reduced to 2" from 2 1/2" of the side on request of client (F. Perina)
Created drawing