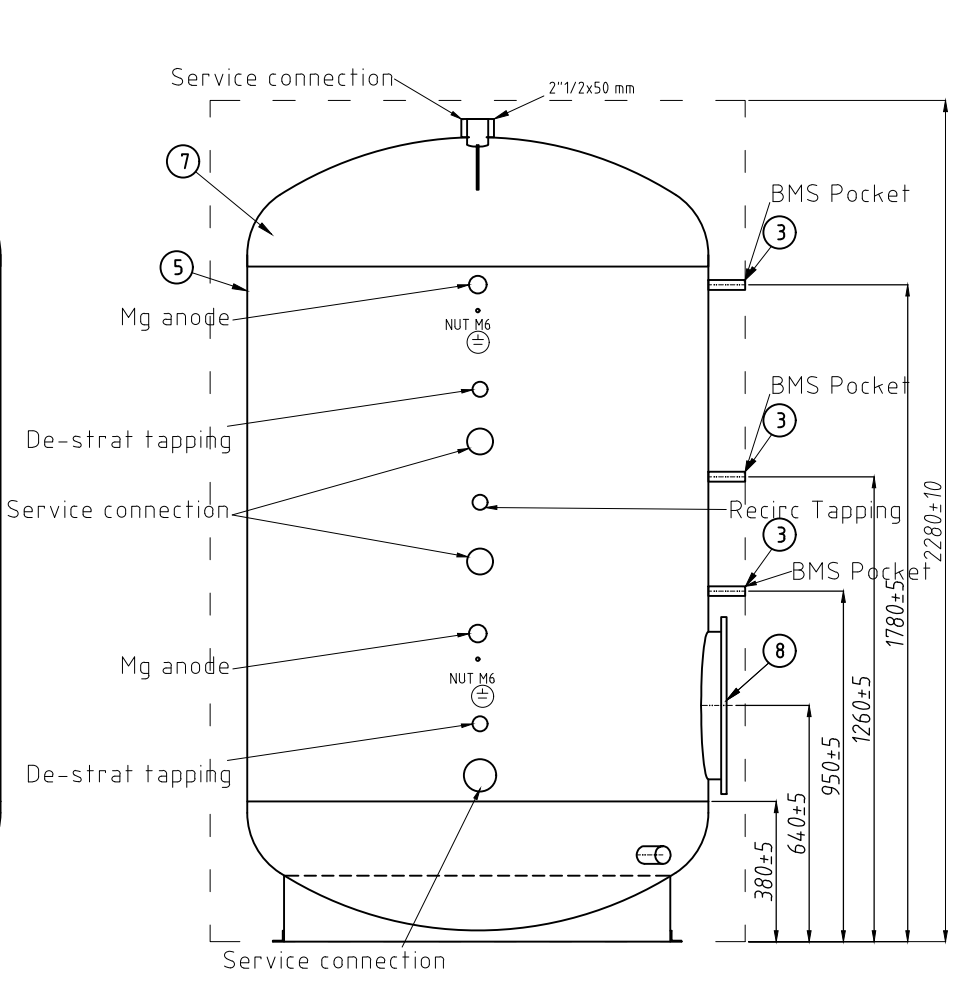
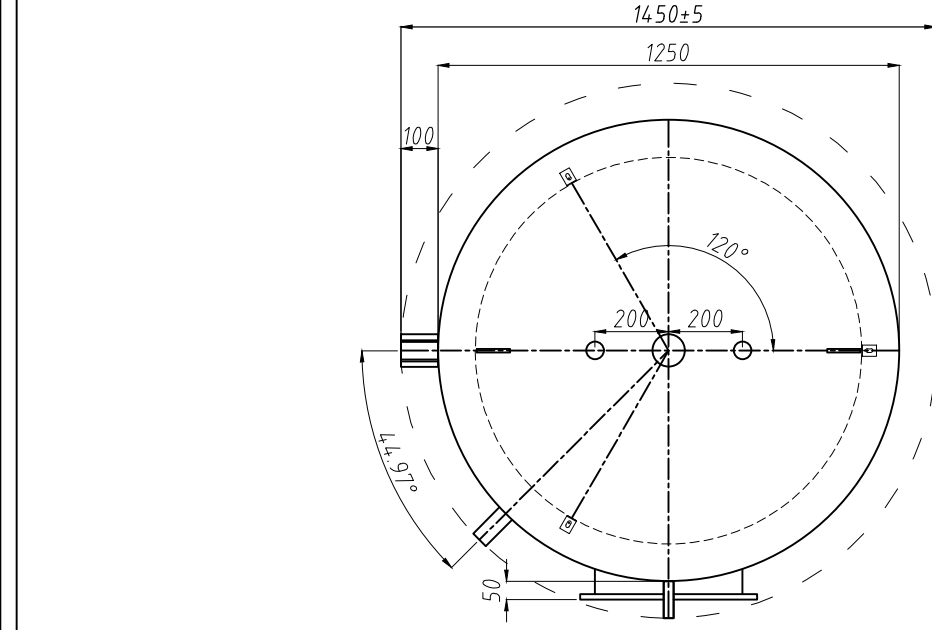
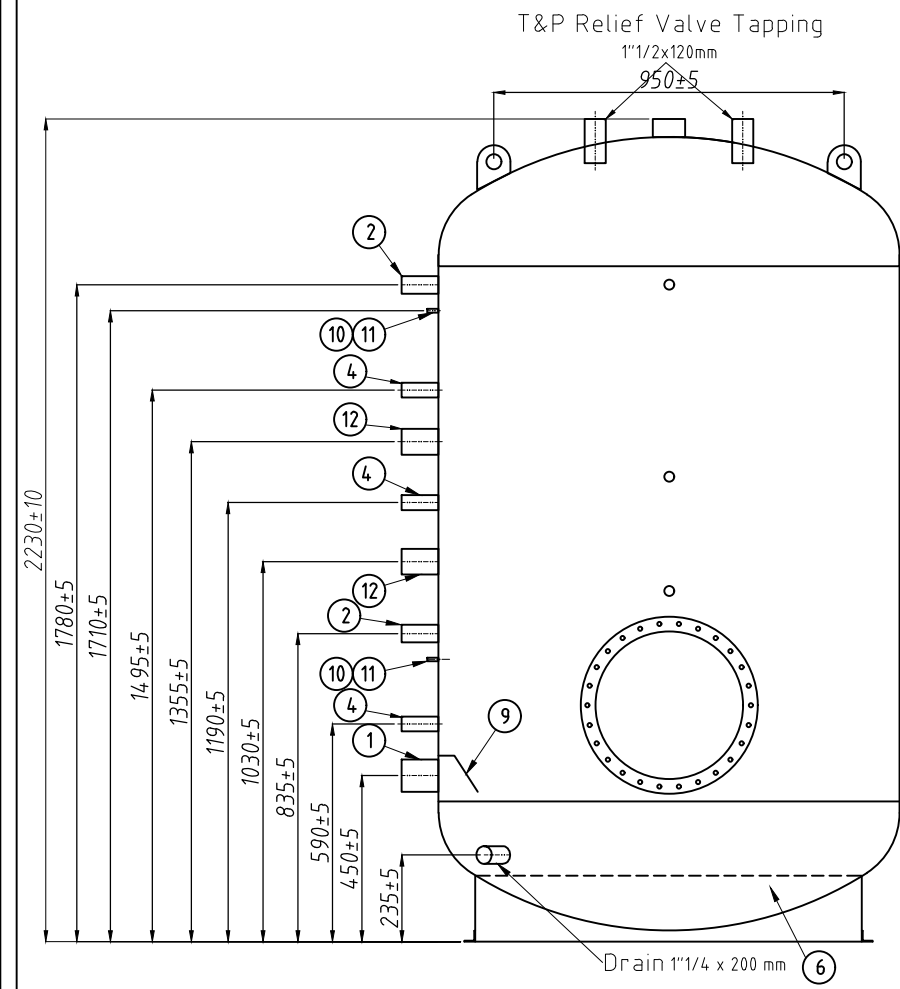


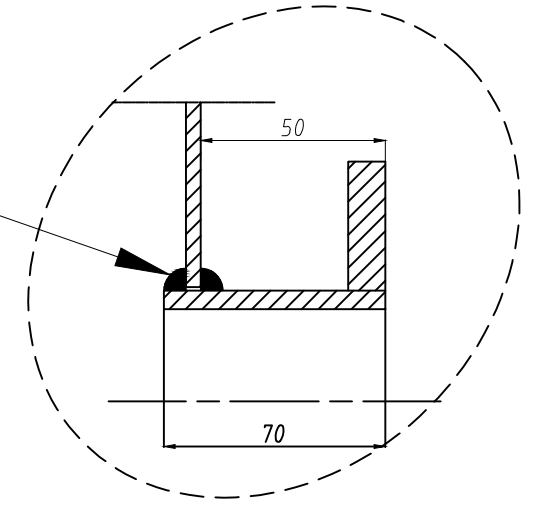
Insulation:
100mm Soft Polyester + PVC Indoor Sky



Agreed
Andy Clifford
23.11.22

WELDED FLANGE DETAIL

TO BE WELDED ON BOTH SIDES -
TO REMOVE EDGE BY MEANS OF
WELDING TO OPTIMIZE INTERNAL
TREATMENT



DISIGNO SU RICHIESTA DEL CLIENTE, VALIDO SOLO PER QUANTO ESPRESSAMENTE INDICATO
DESIGN ON CUSTOMER REQUIREMENT, VALID ONLY EXPRESSLY INDICATED
DESSIN À LA DEMANDE DU CLIENT, VALABLE UNIQUEMENT POUR CE QUI EST EXPRESSÉMENT INDIQUÉ

POS.	DESCRIPTION:	MATERIAL:	Q.TY:	CODE:	REVISIONS:
15	
14	
13	
12	Int. threaded 2"x105 mm	S235JR	2	91710510	
11	Hex Screw M6x10 mm	GALVANIZED	2	98120010	
10	Nut M6x30 mm	GALVANIZED	2	98610001	
9	Flow diverter	S235JR	1	91920013	
8	Welded Flange D.480 x D.1250 mm	S235JR	1	91C10135	
7	Upper semifinished	S235JR	1	F08B54S4943	
6	Lower semifinished	S235JR	1	I08B54003V	
5	Metal sheet 3910x1450x50/10 mm	S235JR	1	912S4943 91130125	
4	Int. threaded 1"x105 mm	S235JR	3	91710345	
3	Int. threaded 1/2"x105 mm	S235JR	3	91710130	
2	Int. threaded 1 1/4"x105 mm	S235JR	2	91710500	
1	Int. threaded 2 1/2"x105 mm	S235JR	1	91710755	06 05 04 03 02 01 00

TESTING PRESSURE IS ONE AND A HALF OF WORKING PRESSURE					
EFFECTIVE CAPACITY (LT.):	PRIMARY CAPACITY (LT.):	PRIMARY WORKING PRESSURE (BAR):	SECONDARY CAPACITY (LT.):	SECONDARY WORKING PRESSURE (BAR):	WEIGHT (KG):
2346	...	8	505
ALL RIGHTS RESERVED. THIS DRAWING IS NOT TO BE GIVEN TO THIRD PARTS WITHOUT OUR WRITTEN AUTHORIZATION					
MATERIAL:	TREATMENT:	DESCRIPTION:			
S235JR	SMALGLASS	VS DN 2500V SPEC.			
FIRST ANGLE PROJECTION:	DESIGNER:	Commercial Hot Water Solutions Ltd.		DATE CREATED:	
	F. PERINA			10-07-19	
DIMENSIONS IN MILLIMETERS	CHECKED:			CODE:	
TOLERANCES NOT SHOWN:	G. ZENARI			B09B54S4943	
EN 22768-1 - V	CHECKED:				
	...				

Magnified to 2" from 1 1/2" of the side on request of client (F. Perina)
Created drawing
16-11-22
10-07-19