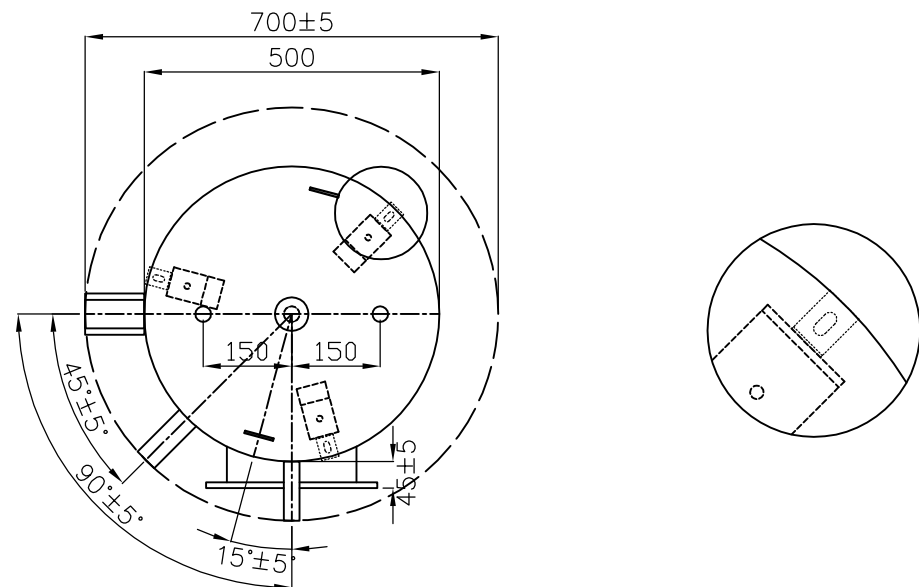
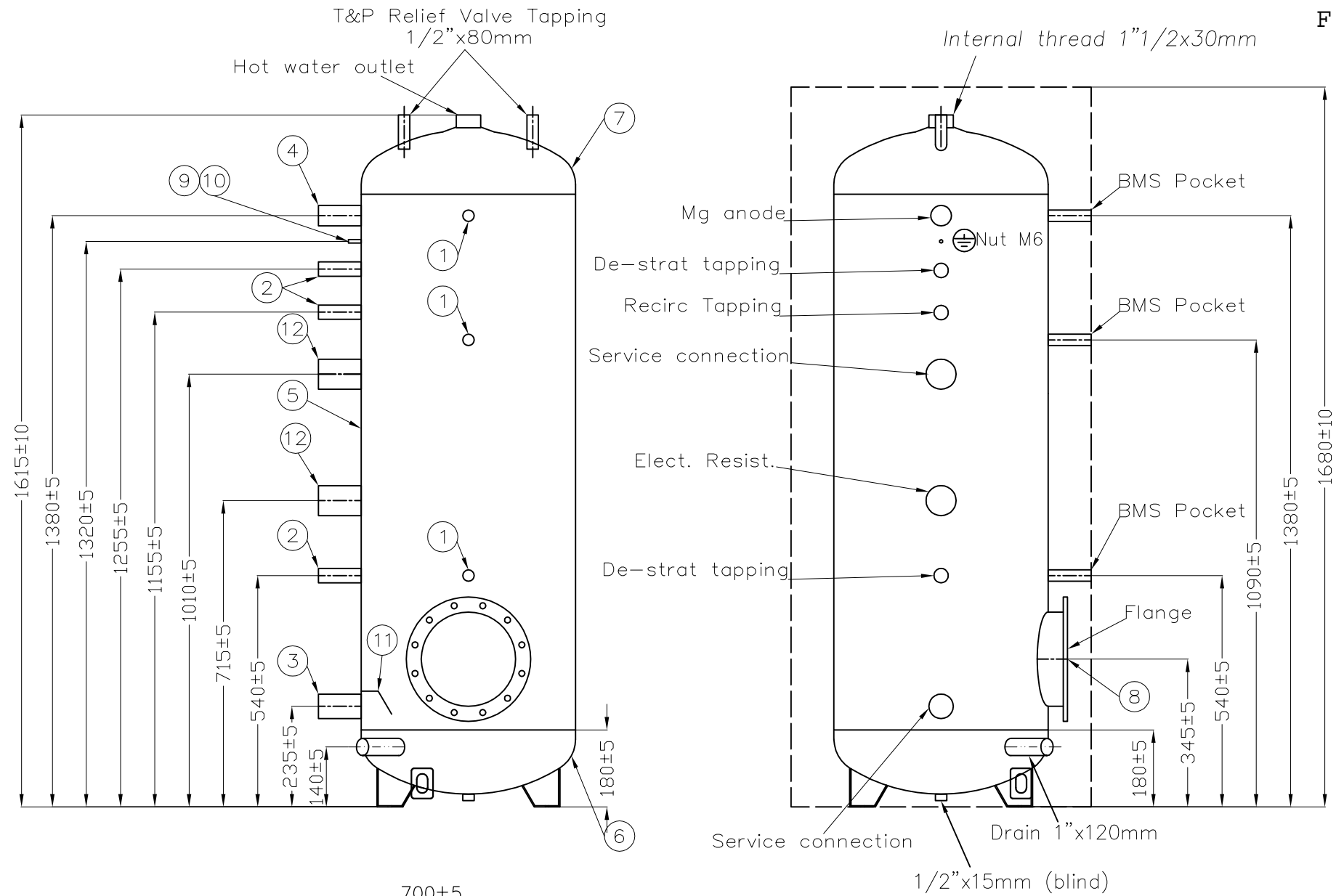


Final draft, agreed and signed

Andy Clifford 12.1.21



SERBATOIO REALIZZATO SU SPECIFICHE DEL CLIENTE
STORAGE TANK REALIZED ON CUSTOMER SPECIFICATIONS
BALLON REALISE SUR SPECIFIQUE DU CLIENT

01

POS.	DESCRIPTION:	MATERIAL:	Q.TY:	CODE:	REVISIONS:
12	Internal thread 2"x105 mm	S235JR	2	91710710	
11	Flow diverter	S235JR	1	91920013	
10	Screw TE M6x10 mm	GALVANIZED	1	98120010	
9	Nut M6x30mm	S235JR	1	98610001	
8	Flange Ø290	S235JR	1	91C10016	
7	Upper Semifinished	DD12/S235JR	1	F08204S3858	
6	Lower Semifinished	DD12/S235JR	1	I082040030	
5	Metal sheet 1561x1250x25/10	DD12	1	912S3858 91120251	
4	Internal thread 1"1/4x105 mm	S235JR	1	91710500	
3	Internal thread 1"1/2x105 mm	S235JR	1	91710630	
2	Internal thread 3/4"x105 mm	S235JR	3	91710240	
1	Internal thread 1/2"x105 mm	S235JR	3	91710130	01 02 03 04 05 06 07 08 09 10 11 12 13 14 15 16 17 18 19 20 21 22 23 24 25 26 27 28 29 30 31 32 33 34 35 36 37 38 39 40 41 42 43 44 45 46 47 48 49 50

TESTING PRESSURE IS ONE AND A HALF OF WORKING PRESSURE					
EFFECTIVE CAPACITY(LT.):	PRIMARY CAPACITY (LT.):	PRIMARY WORKING PRESSURE (BAR):	SECONDARY CAPACITY (LT.):	SECONDARY WORKING PRESSURE (BAR):	WEIGHT (KG):
285	...	10	110

ALL RIGHTS RESERVED. THIS DRAWING IS NOT TO BE GIVEN TO THIRD PARTS WITHOUT OUR WRITTEN AUTHORIZATION					
MATERIAL:	TREATMENT:	DESCRIPTION:			
S235JR / DD12	SMALGLASS	PROSTOR BV 300			
FIRST ANGLE PROJECTION:	DESIGNER:	Commercial Hot Water Solutions Ltd.		DATE CREATED:	
	D. MATTIOLI			21-09-17	
DIMENSIONS IN MILLIMETERS	CHECKED:			CODE:	
TOLERANCES NOT SHOWN:	CHECKED:	Commercial Hot Water Solutions Ltd.		809304S3858	
EN 22768-1 - V	...				