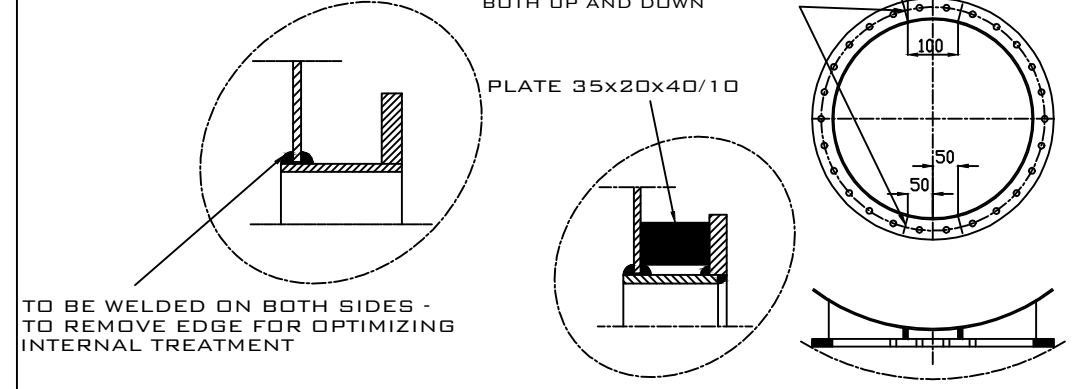


WELDED FLANGE DETAIL



INSULATION:
100 mm Soft Polyester + INDOOR PVC Sky

Andy Clifford

16.11.22

DISEGNO SU RICHIESTA DEL CLIENTE, VALIDO SOLO PER QUANTO ESPRESSAMENTE INDICATO
DESIGN ON CUSTOMER REQUIREMENT, VALID ONLY EXPRESSLY INDICATED
DESSIN À LA DEMANDE DU CLIENT, VALABLE UNIQUEMENT POUR CE QUI EST EXPRESSÉMENT INDIQUÉ

POS.	DESCRIPTION:	MATERIAL:	Q.TY:	CODE:	REVISIONS:
13	Internal thread 2"1/2x105 mm	S235JR	1	91710755	
12	Internal thread 1"1/2x105 mm	S235JR	1	91710630	
11	Flap	S235JR	1	91920013	
10	Internal thread 2"x105 mm	S235JR	2	91710710	
9	Hex Screw M6x10 mm	GALVANIZED	2	98120010	
8	Hex Nut M6x30mm	GALVANIZED	2	98610001	
7	Flange Ø480	S235JR	1	91C10141	
6	Upper Semifinished	DD12/S235JR	1	F08B04.S4.211	
5	Lower Semifinished	DD12/S235JR	1	I08B04.S4.211	
4	Metal sheet 3437x1680x50/10	DD12	1	912S4.211 91110716	
3	Internal thread 1"1/4x105 mm	S235JR	2	91710500	
2	Internal thread 1"x105 mm	S235JR	3	91710345	
1	Internal thread 1/2"x105 mm	S235JR	3	91710130	

TESTING PRESSURE IS ONE AND A HALF OF WORKING PRESSURE

EFFECTIVE CAPACITY (LT.):	PRIMARY CAPACITY (LT.):	PRIMARY WORKING PRESSURE (BAR):	SECONDARY CAPACITY (LT.):	SECONDARY WORKING PRESSURE (BAR):	WEIGHT (KG):
1974	...	8	430

ALL RIGHTS RESERVED. THIS DRAWING IS NOT TO BE GIVEN TO THIRD PARTS WITHOUT OUR WRITTEN AUTHORIZATION

MATERIAL:	TREATMENT:	DESCRIPTION:
S235JR / DD12	SMALGLASS	VS-DN 2000V
FIRST ANGLE PROJECTION:	DESIGNER:	DATE CREATED:
	D.MATTIOLI	14-06-18
DIMENSIONS IN MILLIMETERS	CHECKED:	Commercial Hot Water Solutions Ltd.
TOLERANCES NOT SHOWN:	G. ZENARI	CODE:
EN 22768-1 - V	CHECKED:	B09B04S4211

Reduced to 2" from 2"1/2 of the side on request of client (F. Perina)
Added 1 x 2"1/2x105 mm connection on request of client (F. Perina)
Created drawing 16-11-22
16-11-21
14-06-18