

ProPak Thermal 45-Series D Instantaneous Packaged Plate Heat Exchanger

Product Description

WRAS and KIWA UK Reg 4 Approved Packaged Plate Heat Exchanger suitable for Domestic Hot Water Generation.

The ProPak Thermal range of packaged plate heat exchangers are suitable for the generation of domestic hot water in commercial and industrial applications. Each WRAS and KIWA UK Reg 4 approved unit is constructed with Stainless Steel AISI 316 plate heat exchangers, has a MODBUS interface and ERP A rated primary pumps.

ProPak ® Thermal Range: Features

- Full WRAS Approval (WRAS Approval Number 2312347)
- Heat outputs: 75 – 800kw
- Stainless Steel AISI 316 Plates
- EPDM Gaskets
- ERP A rated Primary Pumps
- PID Controller with MODBUS Interface
- Fast acting Siemens 3-port valve
- High Density, Semi-Rigid Insulation

ProPak ® Thermal Range: Options

- Skid Mounting with pre-connected Buffer Vessel
- High Outputs: 1mw + options

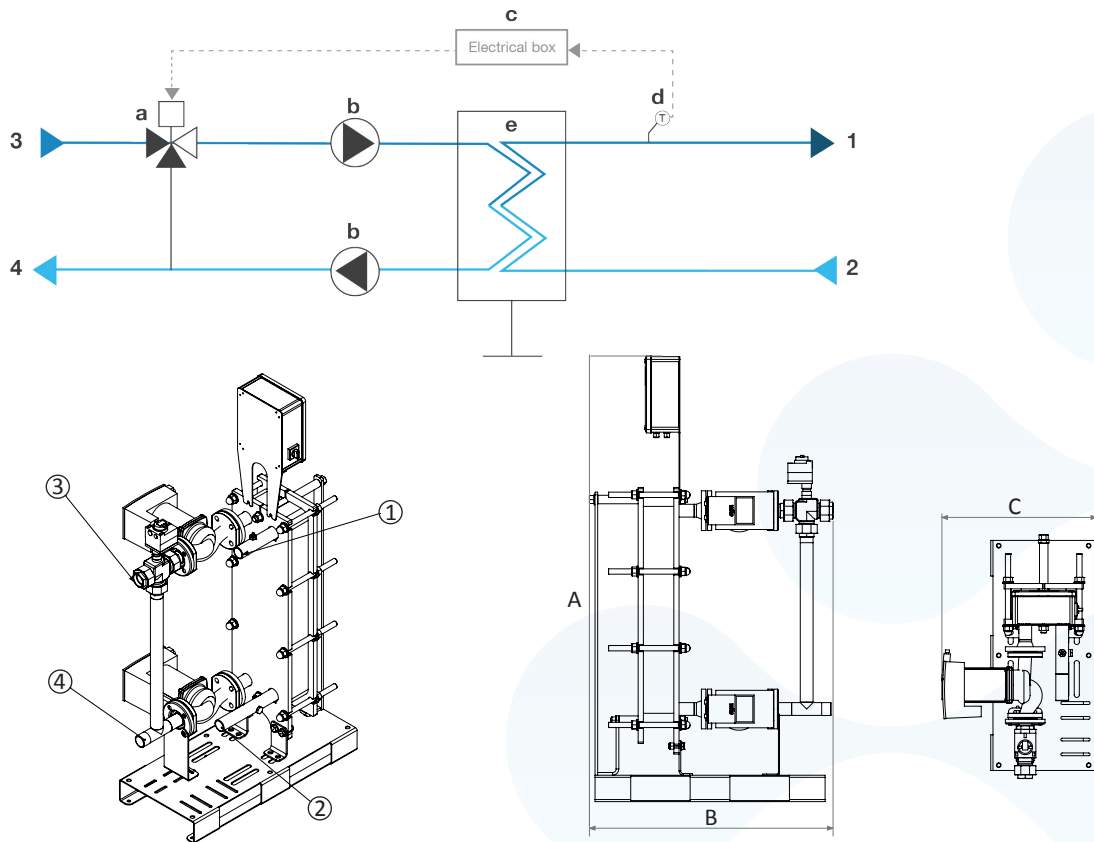


Technical Specification

| | |
|--|---|
| Plate Construction Material | AISI 316L Stainless Steel |
| Gasket Construction Material | EPDM - PRX Gasket |
| Press Plate and Mounting Frame Construction Material | Epoxy Coated Quality Mild Steel |
| Ancillaries Mounting Pipework | AISI 316L Stainless Steel |
| Insulating Jacket Material | 30mm High Density Semi - Rigid Polyolefin Foam (PO) |
| Full PID Control Unit | MODBUS RTU/RS 485 BMS Interface |
| Maximum Full Load Current | 6 Amp |
| Primary Circuit Motorised 3 Port Control Valve | Siemens VXG 48.40 / SAS 61.03 Actuator |
| Primary Circulation Pump(s) | WILO YONOS PARA HF 40/12 |
| Total Height | 1685 mm |
| Total Length | 921 mm |
| Total Width | 585 mm |
| Weight | 259 kg |
| Maximum Operating Pressure - Primary | 10 bar |
| Maximum Operating Pressure - Secondary | 10 bar |
| WRAS Approval Number | 2312347 |

TECHNICAL PRODUCT SUBMITTAL

ProPak Thermal 45-Series D Instantaneous Packaged Plate Heat Exchanger



Dimensions (mm)

| | |
|---|------|
| A | 1685 |
| B | 921 |
| C | 585 |

Connections

| | |
|---|------------------------------------|
| 1 | Secondary Outlet Connection - DN40 |
| 2 | Secondary Inlet Connection - DN40 |
| 3 | Primary Inlet Connection - DN40 |
| 4 | Primary Outlet Connection - DN40 |

Schematic Drawing Key

| | |
|---|---|
| a | Motorised 3 Port Control Valve |
| b | Primary Circulation Pump(s) |
| c | PID Control Unit - MODBUS / BMS Interface |
| d | Control Temperature Sensor - PT1000 |
| e | Gasketed Plate Heat Exchanger |



ProPak Thermal Packaged Plate Heat Exchanger

| | |
|--------------------|--|
| Project Name: | |
| Date Created: | |
| Recommended Model: | |

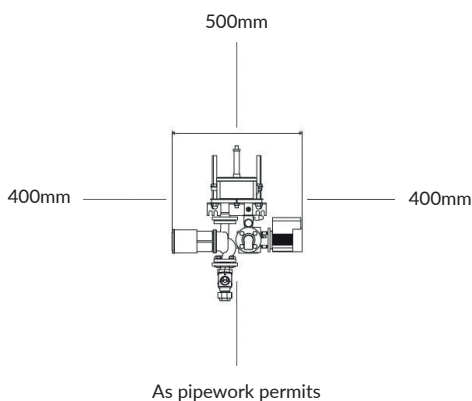
Primary Flow & Return Temp @

°C/ °C

| | |
|--------------------------------|--------|
| Heat Load Required / Max Duty | kW |
| DHW Flow Rate/Hour ΔT 50°C | litres |
| Secondary Circuit Flow Rate | l/s |
| Secondary Pressure Drop (Peak) | kPa |
| Primary Circuit Flow Rate | l/s |
| Primary Pressure Drop (Peak) | kPa |
| Primary Circuit Fluid | Water |

Recommended Clearances:

Propak Clearances



Water Quality

In hard water areas, suitable water conditioning or water softening should be installed to the cold-water supply to prevent equipment failure due to hard scale build-up.

Products will not be covered under warranty for failure due to poor water quality, limescale build-up or corrosion due to aggressive soft water.

If in doubt the installer should contact a water quality expert to discuss. In all instances, products should be installed and maintained as per the CHWS product O&M manual.

Warranty

The unit is covered by a 2 year warranty. If the water quality deviates from the parameters outlined above the product cannot be covered by warranty.

